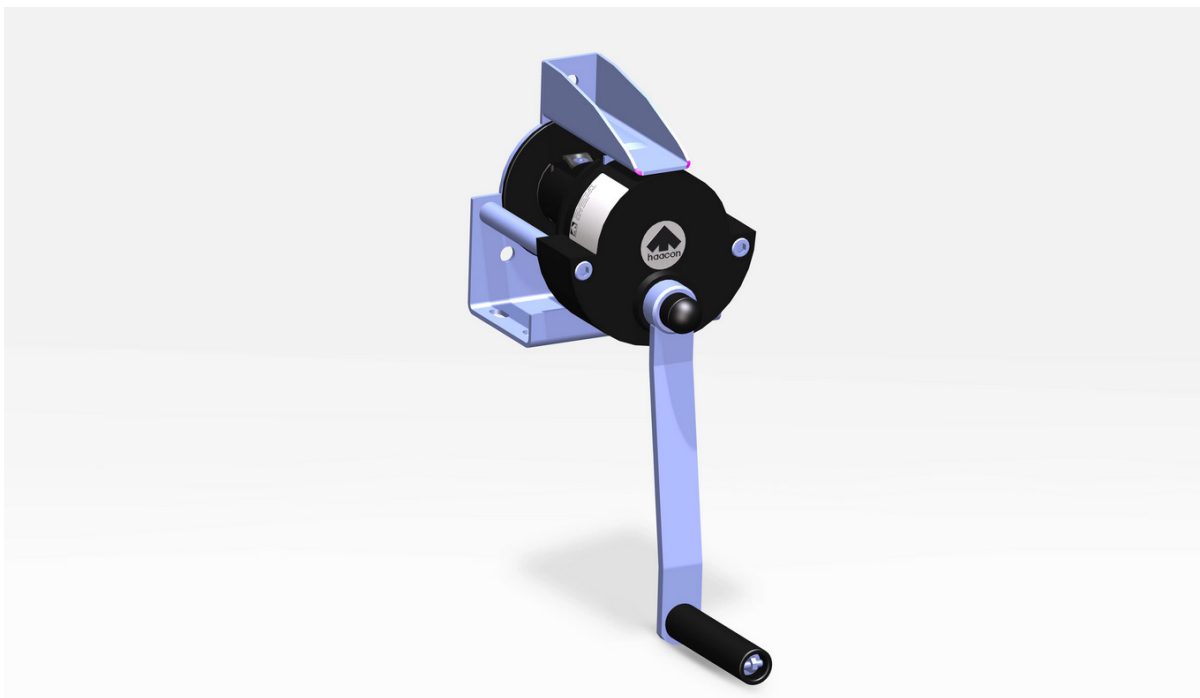


HANDSEILWINDEN

CABLE WINCHES

Hand rope winch **TANGO** - 300 kg & 500 kg



Haacon's range of hand winches with many advantages:

- » corrosion resistant
- » quiet running
- » large rope capacity
- » independent winding of rope possible
- » self-locking
- » folding crank handle
- » zinc plated or in stainless steel
- » suitable for wall or base mounting

Winch with fix crank	With detachable crank	Type	Mounting	Material
207 099	230 875	KV 300	Bracket	zinc plated
207 117	230 877	KE 300		stainless steel
207 118	230 878	KV 500		zinc plated
207 120	230 880	KE 500		stainless steel

Technical data	K 300	K 500
capacity 1st rope position	300 kg	500 kg
capacity final rope position	185 kg	320 kg
wire rope Ø*	4 mm	5 mm
rope capacity max.	29 m	20 m
crank force	160 N	200 N
lift/crank turn	64 mm	46 mm
gear ratio	3,1	4,5
weight	1 kg	2,1 kg

*recommended wire rope: EN 12385-6x19M-FC 1770 B sZ

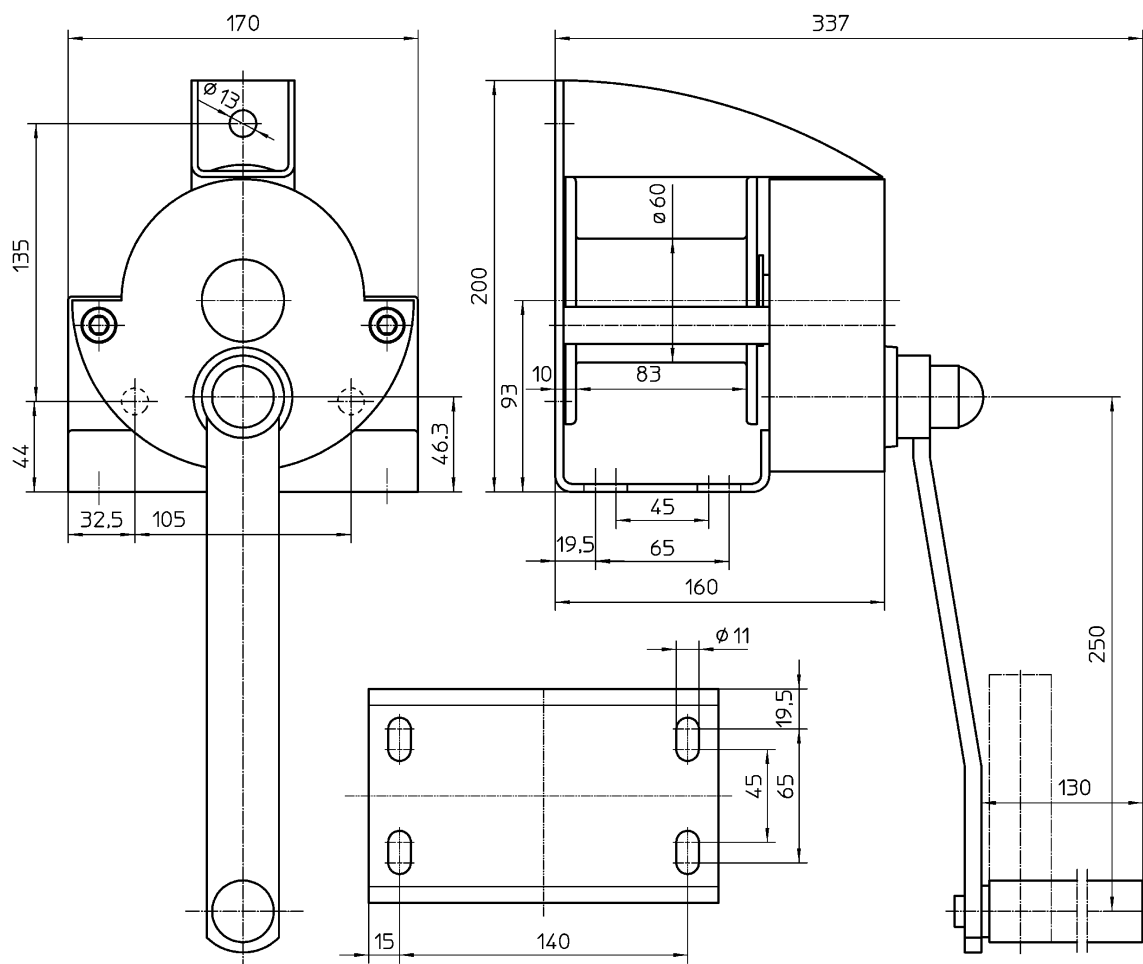
haacon hebetchnik gmbh
Josef-Haamann-Str. 6
97896 Freudenberg am Main

Web: www.haacon.com
E-Mail: haacon@haacon.de
Telefon: +49 93 75 - 84 0



HANDSEILWINDEN

CABLE WINCHES



Tango K